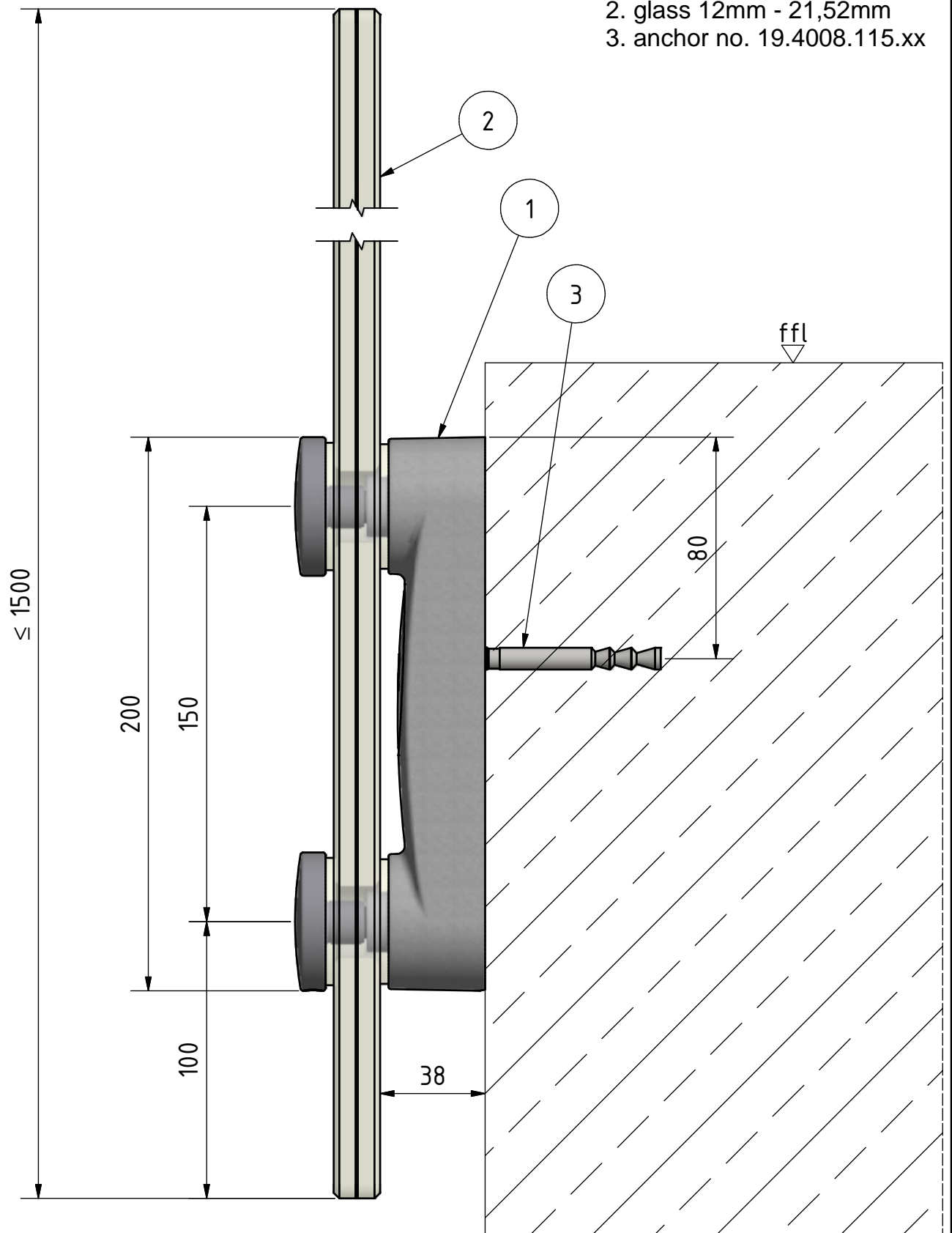


1. glass adapter (304 or 316)
2. glass 12mm - 21,52mm
3. anchor no. 19.4008.115.xx



SYSTEM: Easy Glass
MODEL: 0762
DESCRIPTION: Glass adapter

DRAWN: TRR
DATE: 06.04.2020
DRAWING NO.: 0762-001

This detail drawing is for reference purposes only. The installer must check the specifications and details with the local situation and regulations. For further advice and service please contact your nearest Q-railing office.

© Q-railing Europe GmbH & Co. KG

THE PREMIUM BRAND IN RAILING SYSTEMS | WWW.Q-RAILING.COM

Q-railing